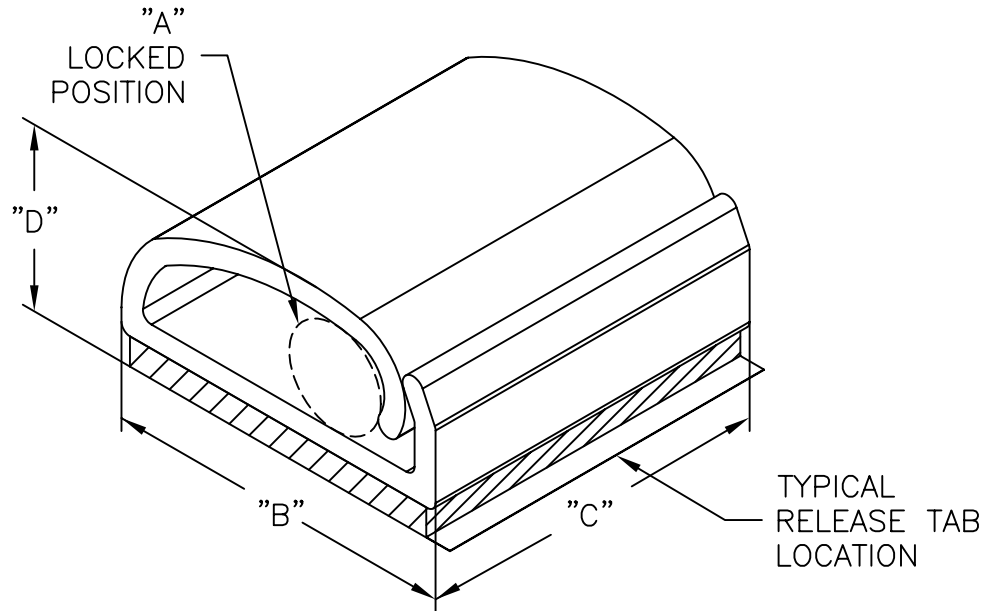


PART NO.	HOLDING CAPACITY "A"	"B" ±.015 (0.4)	"C" ±.02 (0.5)	"D" AT MAX. CAPACITY REF.
KKDL-4-RT	1/8 (3.2)	1/2 (12.7)	1/2 (12.7)	.28 (7.1)
KKDL-8-RT	7/32 (5.6)	3/4 (19.1)	3/4 (19.1)	.43 (10.9)



NOTES:

- MATERIAL: RIGID PVC (RMS-04)  
ALSO AVAILABLE IN CLEAR PVC (RMS-32)  
BY SPECIAL ORDER.
- COLOR: GRAY
- TAPE: 1/16" THICK DOUBLE SIDED  
ADHESIVE (RMS-15), WHITE LINER.
- CUSTOM LENGTHS AVAILABLE BY SPECIAL ORDER.

TITLE: KWIK-KLIP, TYPE "DL"		DWG IN IN (MM)		FINAL				
D	CHANGED NOTE 1 & ADDED NOTE 4	SJ 03.14.02	TOLERANCES UNLESS NOTED	FILE # KKDL	DWN: S.M.	APP:	PART # SEE CHART	PRINT TYPE CA
C	COMPLETELY RE-DRAWN & CHANGED FILE #	S.M. 01.04.01	.XX=±.020 .XXX=±.015 FRAC=±1/64 ANG=±1'	MAT'L: SEE NOTE	DT: 01/05/01	DT:		
B	ADDED NOTES, CORRECTED TAPE THICKNESS TO 1/16"	JK 2.10.00		RE: RICHCO, INC.	RICHCO INC. PO BOX 804238, CHICAGO, 60680 (773) 539-4060			
A	KKDL-4 ADDED	JP 12.03.97						
REV	DESCRIPTION	ENGR DATE						